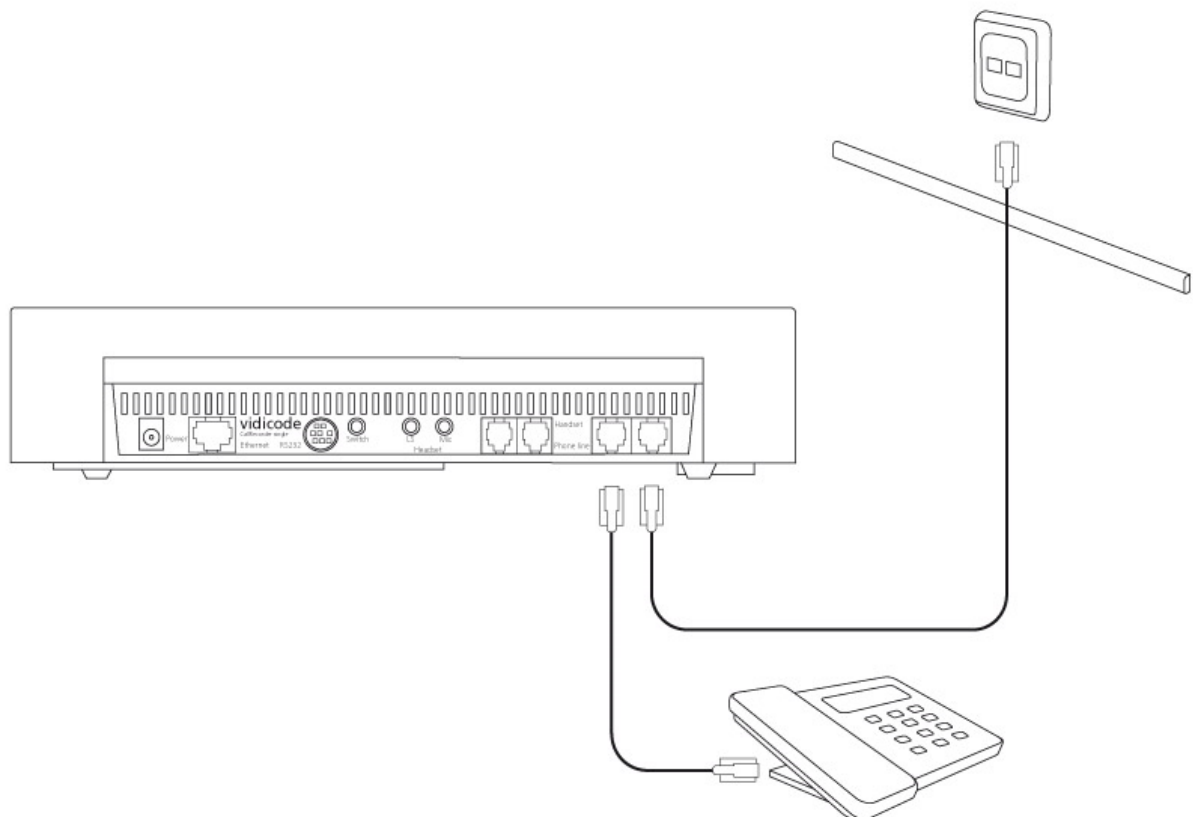


Connection Diagrams

Call Recorder Single

Record from telephone line

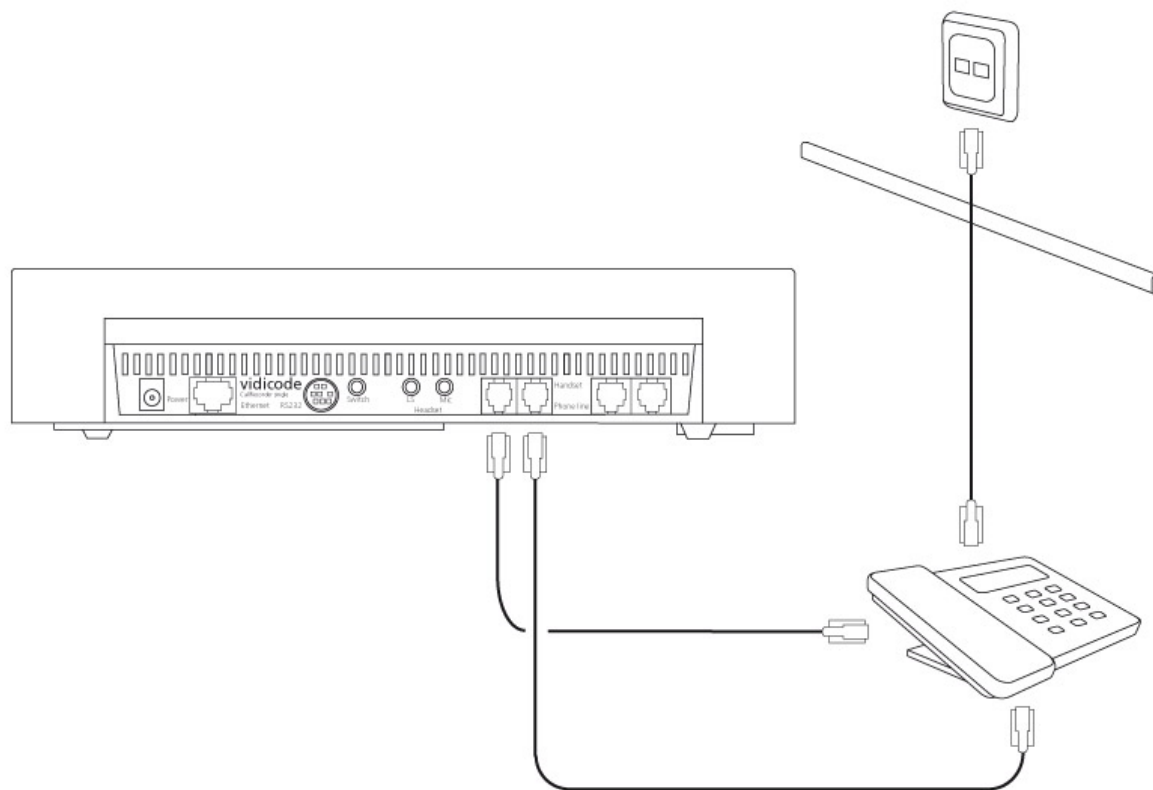
To record from an analogue telephone line, the Call Recorder Single should be connected to the wall socket on the one side and to the telephone on the other side.



Continued

Record from a digital telephone

To record from a digital telephone the Call Recorder Single should be connected to the handset of the telephone. The telephone itself is connected to the wall socket and the Call Recorder Single.

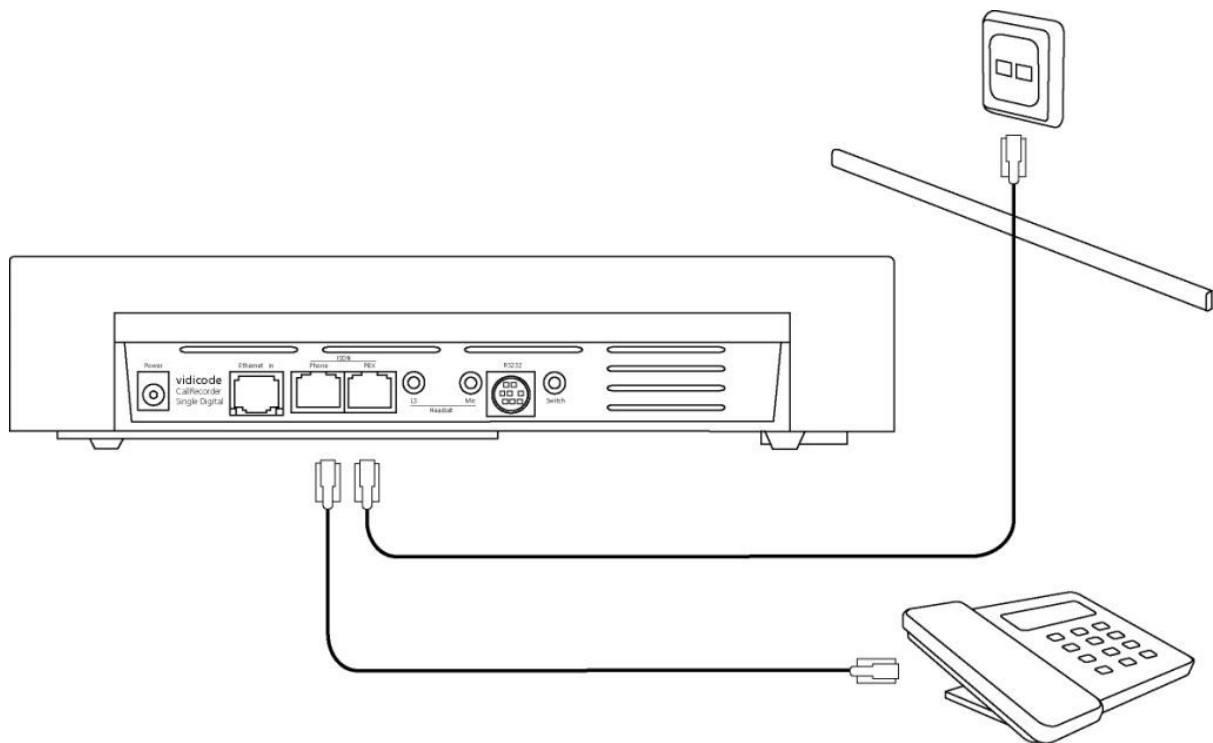


Continued

Call Recorder Single Digital

Record from a single telephone

To record from a single telephone, the Call Recorder Single should be connected to the wall socket on the one side and to the telephone on the other side.



Continued

Record from ISDN line

Where the recorder is used as an ISDN recorder and placed in between the ISDN line (NT) and the ISDN PBX (TE), it is recording all incoming and outgoing traffic. The line coming from the ISDN network provider is plugged into the PBX connector, and the ISDN PBX or telephone is connected to the Phone connector. Normally an ISDN line uses RJ-45 connectors..

